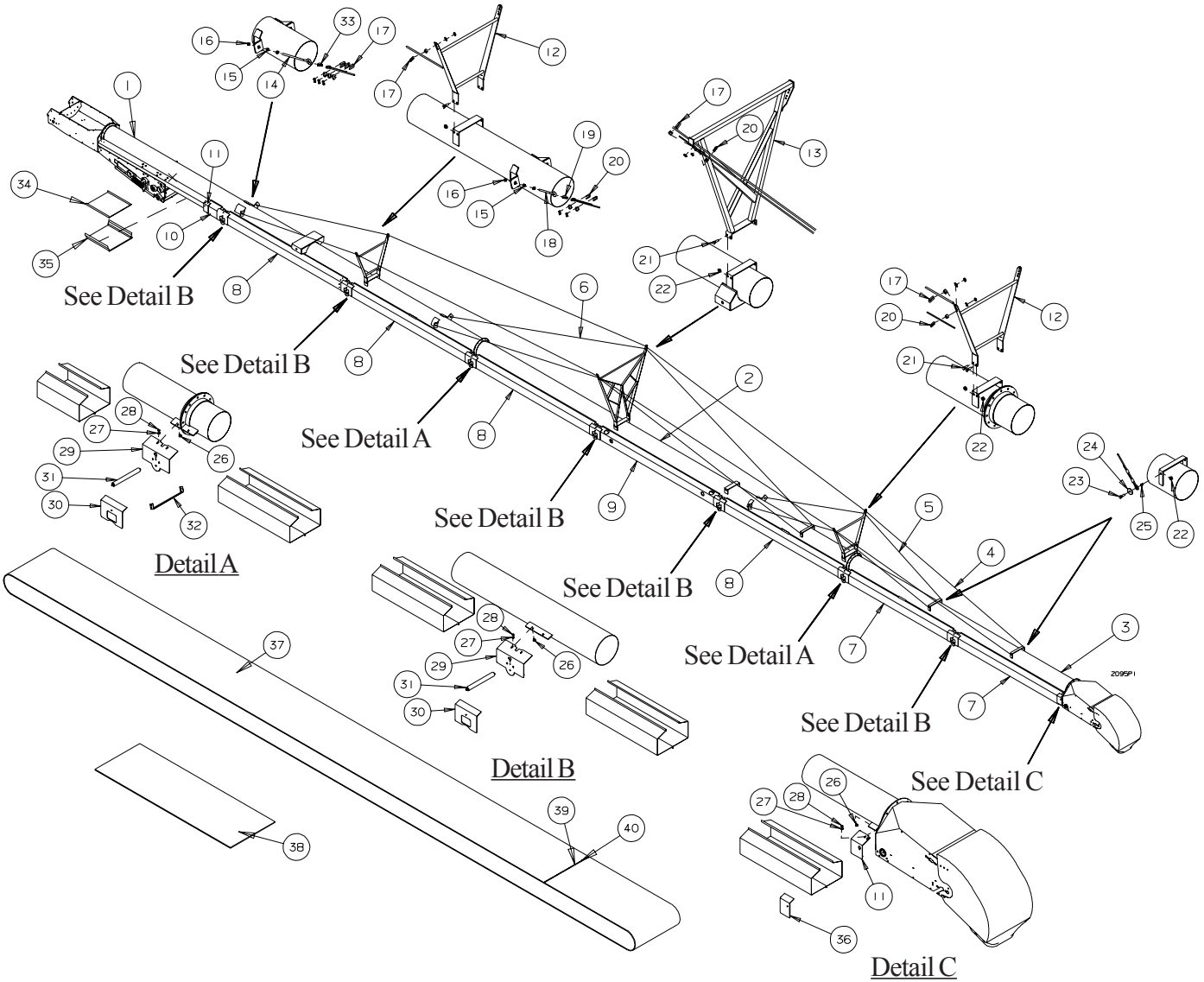


***2095 20110 GRAINBELT
CONVEYOR***

PARTS LIST

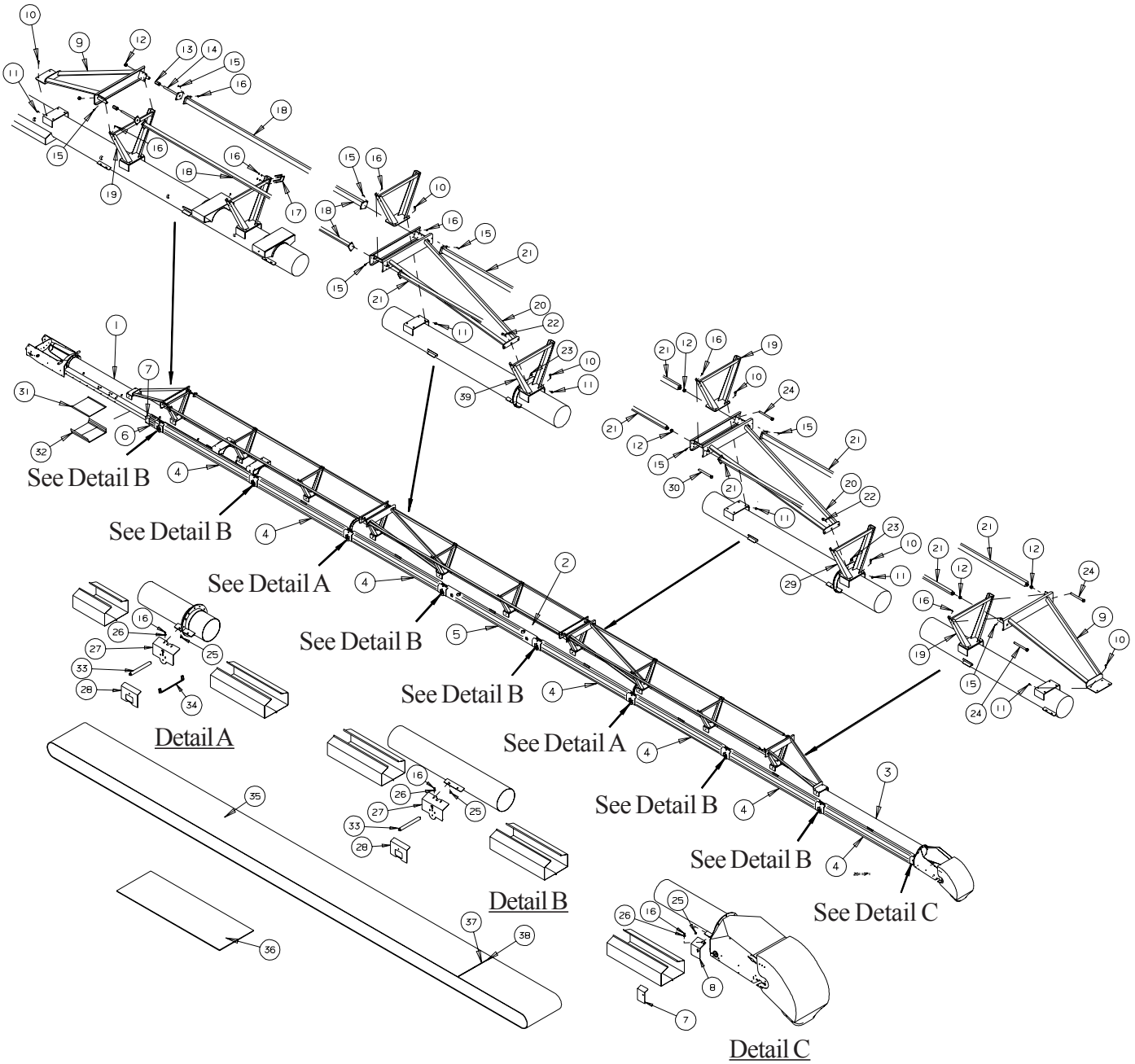
SERIAL NOS. 118000 - 127999

2095 CONVEYOR GENERAL ASSEMBLY - GRAIN BELT CONVEYOR
SERIAL NOS. 118000 - 127999



REF #	PART #	DESCRIPTION	QTY
1	C205385A	Lower Tube Assembly	1
2	C202386A	Suspension Tube Assembly	1
3	C202388A	Upper Tube Assembly	1
4	B008309	Truss Cable - 1/2" x 73' c/w Loop	2
5	B008312	Truss Cable - 3/8' x 19'-6" c/w Loop	2
6	B008107	Truss Cable - 3/8" x 35' c/w Loop	2
7	C202436	Wind Guard - 20 Series - 112 1/4"	4
8	C202443	Wind Guard - 20 Series - 128 1/4" - No Large Holes	8
9	C202480	Wind Guard - Suspension - 128 1/4" - Four Large Holes	2
10	C205481	Wind Guard - 20 Series - 21"	2
11	C202448R	Upper Wind Guard Mount Base - Right	1
NS	C202448L	Upper Wind Guard Mount Base - Left	1
12	C302871	Small Truss Tower	2
13	C305872	Large Truss Tower	1
14	B0020247	Eyebolt, 5/8" x 16" c/w 12" Thread	2
15	C302919	Eyebolt Bushing - 1" OD x .640" ID x 1/2" long	6
16	B001139	5/8" Hex Nut	12
17	B008085	1/2" Cable Clamp	12
18	B0020246	Eyebolt, 5/8" x 9 3/8" c/w 6" Thread	4
19	B008081	3/8" Cable Thimble	4
20	B008080	3/8" Cable Clamp	12
21	B001068	5/8" x 1 1/4" Bolt	12
22	B0011415	5/8" Lock Nut	18
23	B001071	5/8" x 2 1/2" Bolt	6
24	B0020717	2 1/2" OD x 5/8" ID Washer	6
25	B002311	Buttite Bushing - 5/8" ID x 3/4" lg	6
26	B001082	3/8" x 1" Carriage Bolt	34
27	B001149	3/8" Flatwasher	30
28	B0011325	3/8" Stover Lock Nut	34
29	C202425	Wind Guard Mount Base	14
30	C202437	Wind Guard Mount	14
31	B021253	Return Roller - 1.9" OD x 23" long	7
32	C202438	Flange Guard - 20 Series	2
33	B008086	1/2" Cable Thimble	2
34	C205588	S-Drive Belt Guide Top	1
35	C205597	S-Drive Belt Guide Tracking Box	1
36	C205442R	Upper Wind Guard Mount - Right	1
NS	C205442L	Upper Wind Guard Mount - Left	1
37	B018641F	Rubber Belt - 20" wide x 200' long - Laced, Flap	1
38	B018643F	Rubber Belt - 20" wide x 10' long - Laced, Flap	
39	C2041775	Alligator Lacing Kit - 16 Clip c/w Pin	
40	B021922	Alligator Lacing Pin only - 19" Nylon Covered Stainless Steel	

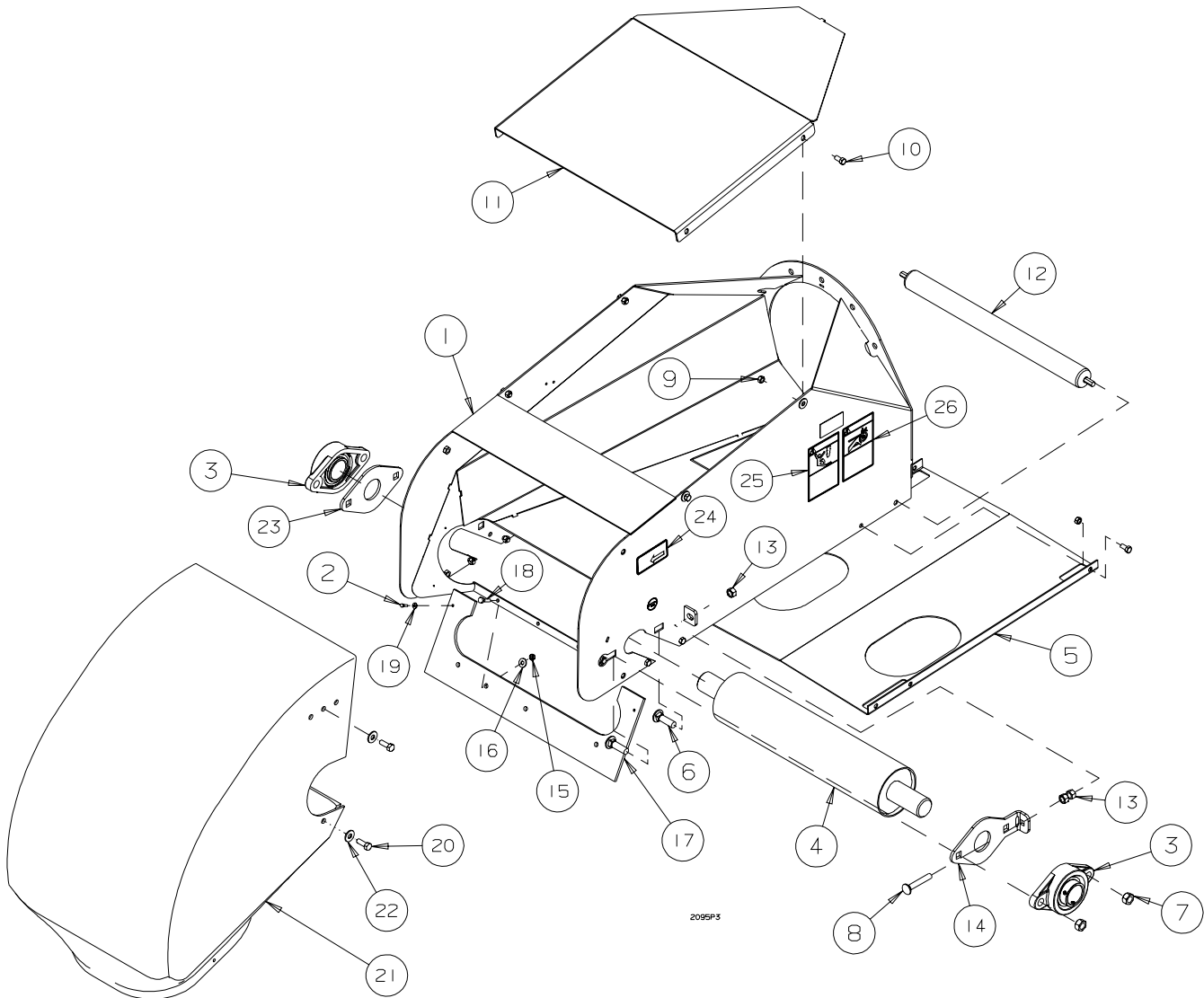
20110 CONVEYOR GENERAL ASSEMBLY - GRAIN BELT CONVEYOR
SERIAL NOS. 118000 - 127999



REF #	PART #	DESCRIPTION	QTY
1	C205383A	Lower Tube Assembly - 20110	1
2	C202384A	Suspension Tube Assembly - 20110	1
3	C202387A	Upper Tube Assembly - 20110	1
4	C202443	Wind Guard - 20 Series - 128 1/4" - No Large Holes	14
5	C202506	Wind Guard - Suspension - 128 1/4" - Four Large Holes	2
6	C205481	Wind Guard - 20 Series - 21"	2
7	C205442R	Upper Wind Guard Mount - Right	1
NS	C205442L	Upper Wind Guard Mount - Left	1
8	C202448R	Upper Wind Guard Mount Base - Right	1
NS	C202448L	Upper Wind Guard Mount Base - Left	1
9	C202508	Outer Truss End	2
10	B001041	1/2"x 1 1/2" Bolt	24
11	B001134	1/2" Stover Lock Nut	24
12	B001077	1" Hex Nut	6
13	B002303	1" Coupling Nut	2
14	C202509	Tension Rod Weldment	2
15	B001025	3/8"x 1 1/4" Bolt	32
16	B0011325	3/8" Stover Lock Nut	80
17	B0020135	3/8"x 2" Sq. U-bolt x 3" long	24
18	C202507	Truss Tube Weld - Plates	2
19	C202398	Common Truss Tower	8
20	C203113	Inner Truss End	2
21	C202399	Truss Pull Tube	4
22	B001041	1/2"x 1 1/2" Bolt	6
23	B001134	1/2" Stover Lock Nut	6
24	C204178	Truss Tension Bolt - 1"x 12 3/8"	4
25	B001082	3/8" x 1" Carriage Bolt	34
26	B001149	3/8" Flatwasher	34
27	C202425	Wind Guard Mount Base	16
28	C202437	Wind Guard Mount	16
29	C202114	Truss Tower c/w End Mount	2
30	C204212	1" x 10" Bolt - Full Thread	2
31	C205588	S-Drive Belt Guide Top	1
32	C205597	S-Drive Belt Guide Tracking Box	1
33	B021253	Return Roller - 1.9" OD x 23" long	8
34	C202438	Flange Guard - 20 Series	2
35	B018646F	Rubber Belt - 20" wide x 230' long - Laced, Flap	1
36	B018643F	Rubber Belt - 20" wide x 10' long - Laced, Flap	
37	C2041775	Alligator Lacing Kit - 16 Clip c/w Pin	
38	B021922	Alligator Lacing Pin only - 19" Nylon Covered Stainless Steel	

REF #	PART #	DESCRIPTION	QTY
1	C205380	Hopper Weldment - 20 Series	1
2	B021742R	Hopper Spring - 1/2" dia - Right	1
3	C202455	Hopper Rail	1
4	C202477	Long Hopper Strap	2
5	B001082	3/8" x 1" Carriage Bol	8
6	B0011325	3/8" Stover Lock Nut	16
7	B001154	3/4" Stover Lock Nut	6
8	B002091	3/16" x 3 3/4" Hair Pin Clip	2
9	B0011245	1/4" Lock Nut	1
10	C215775	Male Hitch - 20 Series	1
11	C2158053	Jack - 10000 lb Drop Leg	1
12	C201241	3/4" x 5 7/16" L-Pin c/w Hole	2
13	C202505	Flip Restraint - 20 Series	1
14	B001004	1/4" x 1 3/4" Bolt	1
15	C215774A	Female Hitch	1
16	C202432	4" x 21 1/2" Intake Roller	1
17	B001091	1/2" x 3" Carriage Bolt - Full Thread	1
18	B001135	1/2" Hex Nut	2
19	B001141	5/8" Lock Nut	4
20	B017225	1 15/16" Bearing, 2 Bolt Flange	2
21	B0010939	5/8" x 2" Carriage Bolt	4
22	B027544	Rear Main Flashing - 2 Ply Rubber	1
23	C202476	Flashing Plate - 20 Series	1
24	C202478	Intake End - 20 Series	1
25	B0010835	3/8" x 1 1/4" Carriage Bolt	3
26	B001040	1/2" x 1 1/4" Bolt	2
27	B021742L	Hopper Spring - 1/2" dia - Left	1
28	B001151	1/2" Flatwasher	2
29	B001134	1/2" Stover Lock Nut	2
30	B001098	3/4" x 2" Carriage Bolt	6
31	C205588	Intake Tracking Guide Top	1
32	B001023	3/8" x 3/4" Bolt	10
33	B0011326	3/8" Flange Lock Nut	10
34	C202354	1 15/16" Bearing Plate	1
35	C205591	Intake Tracking Guide Box	1
36	B001025	3/8" x 1 1/4" Bolt	7
37	B001130	3/8" Jam Nut	2
38	B021423	Hopper Fabric - Black - 20 Series	1
39	B024081	1" ID x 90" lg Flexible Conduit	1
40	C2158054	Drop Leg	1
41	C2158055	Drop Leg Sleeve	1
42	B002820	L-Pin - 3/4" x 6"	1
43	B002091	3/16" x 3 3/4" Hair Pin Clip	1
44	B0020314	L-Pin - 5/8" x 4"	2
45	B002090	5/32" x 3" Hair Pin Clip	2
46	C2158056	Jack Handle Extension	1

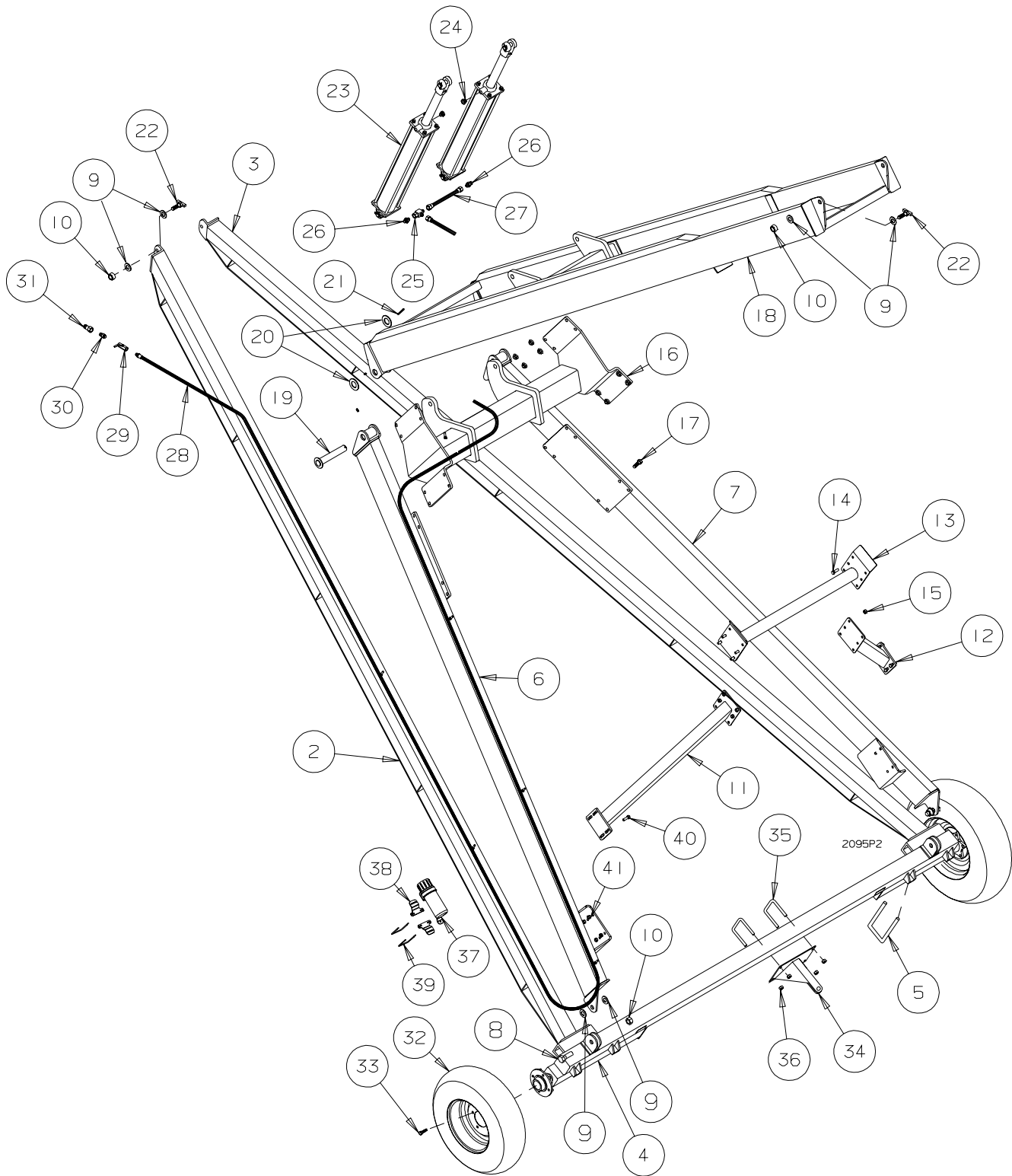
DISCHARGE ASSEMBLY - 20 SERIES GRAIN BELT CONVEYOR
SERIAL NOS. 118000 - 127999



REF #	PART #	DESCRIPTION	QTY
1	C202452	Discharge Weldment - 20 Series	1
2	B002036	#10 x 5/8" TEK Screw	4
3	B017225	1 15/16" Bearing - 2 Bolt Flange	2
4	C202450	5" x 21 1/2" Roller	1
5	C202487	Discharge Bottom Guard - 20 Series	1
6	B0010939	5/8"x 2" Carriage Bolt	4
7	B0011415	5/8" Lock Nut	4
8	B001091	1/2" x 3" Carriage Bolt	1
9	B0011325	3/8" Stover Lock Nut	8
10	B001023	3/8" x 3/4" Bolt	8
11	C202472	Discharge Cap - 20 Series	1
12	B021253	1.9" OD x 23" Roller	1
13	B001135	1/2" Hex Nut	2
14	C202354	1 15/16" Bearing Plate	1
15	B001124	1/4" Lock Nut	3
16	B001147	1/4" Flatwasher	3
17	B027545	Discharge Flashing - 2 Ply Rubber - 20 Series	1
18	B001003	1/4" x 1" Bolt	3
19	B0011459	#10 Flatwasher	4
20	B001024	3/8" x 1" Bolt	4
21	B027605	Discharge Spout - 20 Series	1
22	B001149	3/8" Flatwasher	4
23	C205055	1 15/16" Bearing Plate	1
24	B0294501	Left Tracking Decal	1
25	B029967	Downspout Warning Decal	2
26	B029966	Conveyor Discharge Decal	2

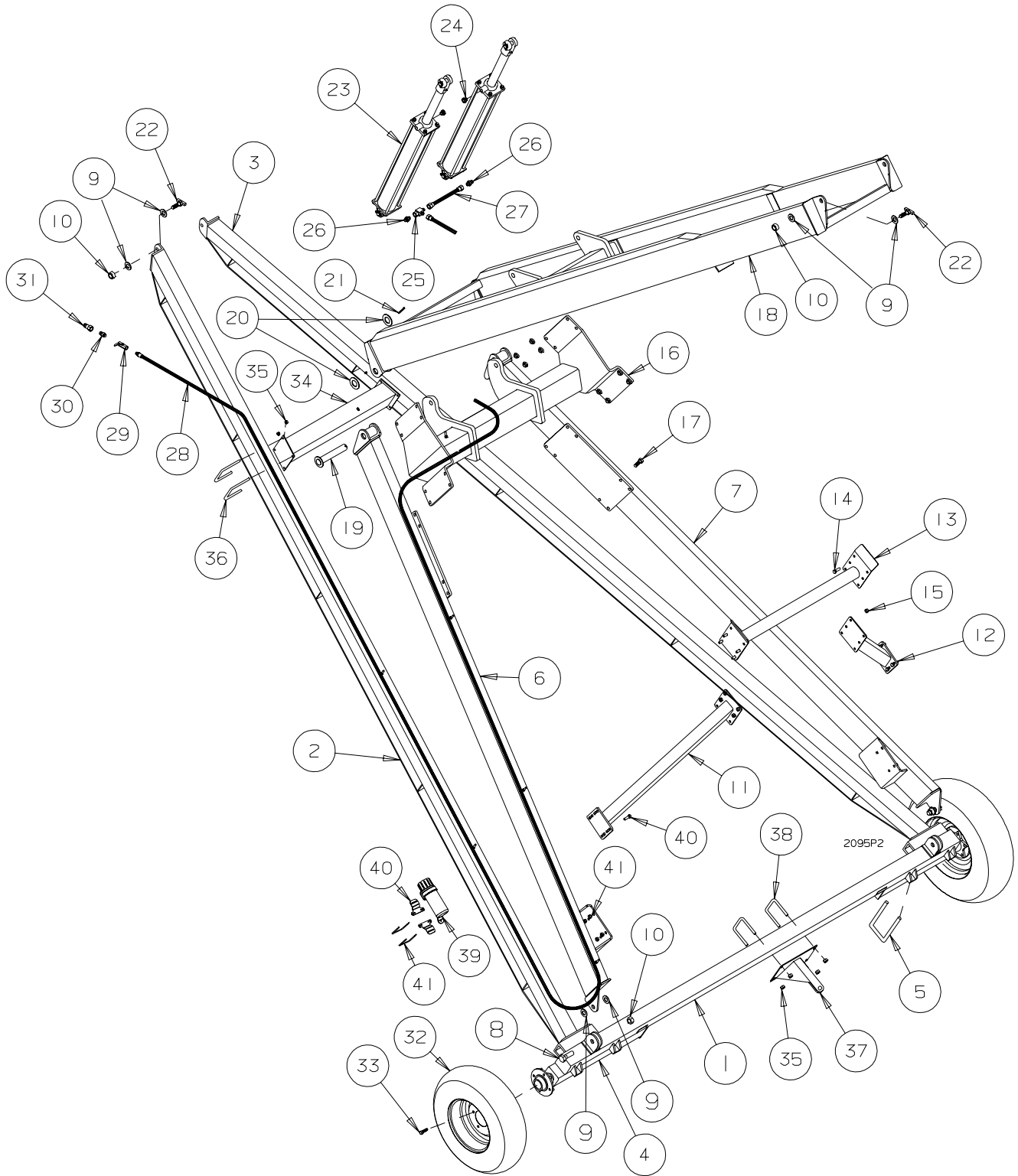
REF #	PART #	DESCRIPTION	QTY
1	C205430	S-Drive Weldment	1
2	C205435	9" Drive Roller Assembly - Driver - 20 Series	1
3	C202432	4" x 21 1/2" Roller	6
4	B017225	1 15/16" dia Bearing - 2 Bolt Flange	16
5	C202354	1 15/16" Bearing Plate	1
6	C205433	S-Drive Under Guard	1
7	C202434	S-Drive Back Guard	1
8	C204475	9" Drive Roller Assembly - Driven - 20 Series	1
9	B0011415	5/8" Lock Nut	32
10	B0010941	5/8" x 1 1/2" Carriage Bolt - Short Neck	25
11	B001135	1/2" Hex Nut	3
12	B001091	1/2" x 3" Carriage Bolt	1
13	C205092	Adjustment Bolt Mount	1
14	C205444	Tension Pull	2
15	C202424	S-Drive Back Plate	2
16	B018700	Pulley - TMG style - 7 1/8" OD x 2.13" wide	2
17	B027500	Nylatron Wear Bushing	4
18	B001405	3/8" Serrated Flange Nut	15
19	B001085	3/8" x 2" Carriage Bolt	1
20	B001082	3/8" x 1" Carriage Bolt	10
21	C2110173	Adjuster Base	1
22	C2110172	Adjuster Carriage	1
23	B017008	5/8" ID Bearing - 1633-2RS	2
24	C2110177	Tensioner Pulley	1
25	B0010945	5/8" x 2 1/2" Carriage Bolt	4
26	B0010939	5/8" x 2" Carriage Bolt	2
27	B0010819	3/8" x 3/4" Carriage Bolt	4
28	BC262	1/2" Key x 2" long	2
29	B0010943	5/8" x 2 1/2" Carriage Bolt - Short Neck	1
30	B0294501	Left Tracking Decal	1
31	B018730	Cog Belt - TMG - 1120-8M	1
32	C205423	Adjustment Bolt	2
32	C205072	Adjustment Bolt - Stainless Steel	2
33	B0210736	Spring - 3.406 " OD x 24" long x .393" Wire	2
34	C205445LA	Left Rod Slide	1
NS	C205445RA	Right Rod Slide	1
35	B001077	1" Hex Nut	2
36	B001137	1/2" Jam Nut	1
37	B0010812	5/16" x 1 1/4" Carriage Bolt	2
38	B0011275	5/16" Stover Lock Nut	2
39	B0020675	5/8" ID x 1 1/8" OD x 14 ga Machinery Bushing	1
40	B001153	5/8" Flatwasher	1
41	B002047	3/16" x 1 1/4" Cotter Pin	1
42	BC821	Adjuster Base Spacer	1

UNDERCARRIAGE ASSEMBLY - 2095 GRAIN BELT CONVEYOR
SERIAL NOS. 118000 - 127999



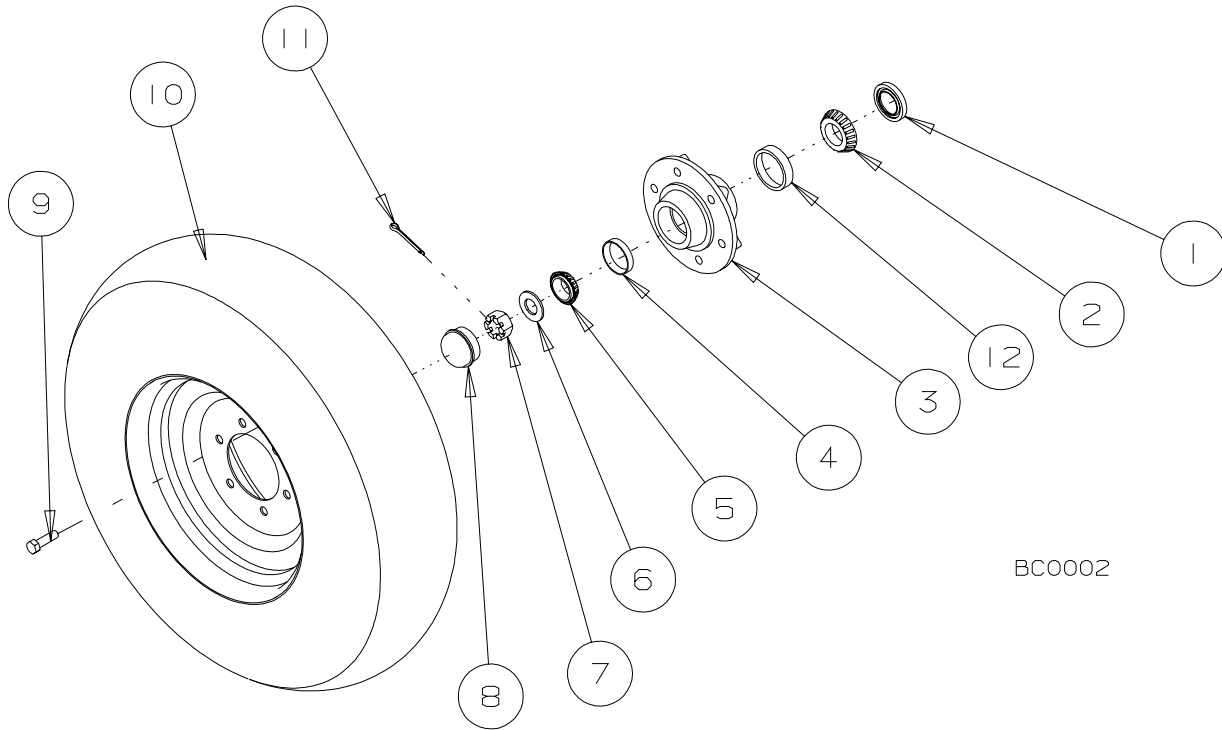
REF #	PART #	DESCRIPTION	QTY
1	C302876	Axle Weldment	1
2	C202393RA	Axle Arm - 2095 - Right	1
3	C202393LA	Axle Arm - 2095 - Left	1
4	C302877	Axle Extension	2
5	B0020211	5/8"x 5" U-bolt x 6 1/2" lg.	2
6	C202931R	Lift Arm - 2095 - Right	1
7	C202931L	Lift Arm - 2095 - Left	1
8	B0011177	1"x 3" Bolt	2
9	B001159	1" Flatwasher	12
10	B001075	1" Lock Nut	6
11	C302878R	Transport Upright - 2095 - Right	1
12	C302878L	Transport Upright - 2095 - Left	1
13	C202479	Transport Rest Cross - 2095	1
14	B001040	1/2"x 1 1/4" Bolt	16
15	B001136	1/2" Lock Nut	16
16	C213470	Lift Cross - 2095	1
17	B001070	5/8"x 2" Bolt	16
18	C202390	Ladder - 2095	1
19	C312931	1 1/2" dia. Hinge Pin	2
20	B001161	1 1/2" Flatwasher	4
21	B0020605	5/16"x 3" Roll Pin	2
22	C203666	1"x 2 1/2" Suspension Bolt	4
23	B019866	4"x 36" Hydraulic Cylinder	2
24	B0193052	#8 MORB Breather	2
25	B019463	Tee - #6 FJIC x #6 MJIC x #6 MJIC	1
26	B0194165	#8 MORB x #6 MJIC Adapter Nipple - 1/16" restrictor	2
27	B019249	3/8" Hydraulic Hose x 18" - #6 FJIC both ends	1
28	B019293	3/8" Hydraulic Hose x 66' - 3/8" MPT x #6 FJIC	1
29	B019300	3/8" FPT Hydraulic Ball Valve	1
30	B019516	1/2" MPT x 3/8" MPT Reducer Nipple	1
31	B019200	Pioneer Male Tip - 1/2" MPT	1
32	B011217	ST235/85 R16 - 8 ply Tire and Rim Assembly	2
33	B011504	Wheel Bolt - 6 Bolt Hub	12
34	C204207	Tow Hitch	1
35	B0020187	1/2"x 6" U-bolt x 5 1/2" deep	2
36	B001134	1/2" Stover Lock Nut	4
37	B0275102	Round Manual Holder	1
38	C314500	Manual Holder Mount	2
39	B0020104	1/4" x 4" Sq. U-Bolt	2

UNDERCARRIAGE ASSEMBLY - 20110 GRAIN BELT CONVEYOR
SERIAL NOS. 118000 - 127999



REF #	PART #	DESCRIPTION	QTY
1	C302876	Axle Weldment	1
2	C202397RA	Axle Arm Assembly- 20110 - Right	1
3	C202397LA	Axle Arm Assembly- 20110 - Left	1
4	C302877	Axle Extension - 90'	2
5	B0020211	5/8"x 5" U-bolt x 6 1/2" lg.	2
6	C202396R	Lift Arm - 20110 - Right	1
7	C202396L	Lift Arm - 20110 - Left	1
8	B0011177	1"x 3" Bolt	2
9	B001159	1" Flatwasher	12
10	B001075	1" Lock Nut	6
11	C200727	Transport Upright - 20110 - Right	1
12	C200730	Transport Upright - 20110 - Left	1
13	C205501	Transport Rest Cross - 20110	1
14	B001040	1/2"x 1 1/4" Bolt	16
15	B001136	1/2" Lock Nut	16
16	C202496	Lift Cross - 20110	1
17	B001070	5/8"x 2" Bolt	16
18	C202395	Ladder - 20110	1
19	C312931	1 1/2" dia. Hinge Pin	2
20	B001161	1 1/2" Flatwasher	4
21	B0020605	5/16"x 3" Roll Pin	2
22	C200666	1"x 2 1/2" Suspension Bolt	4
23	B0191680	5"x 36" Hydraulic Cylinder	2
24	B0193052	#8 MORB Breather	2
25	B019463	Tee - #6 FJIC x #6 MJIC x #6 MJIC	1
26	B0194165	#8 MORB x #6 MJIC Adapter Nipple - 1/16" restrictor	2
27	B0192495	3/8" Hydraulic Hose x 24" - #6 FJIC both ends	1
28	B0192936	3/8" Hydraulic Hose x 88' - 3/8" MPT x #6 FJIC	1
29	B019300	3/8" FPT Hydraulic Ball Valve	1
30	B019516	1/2" MPT x 3/8" MPT Reducer Nipple	1
31	B019200	Pioneer Male Tip - 1/2" MPT	1
32	B011217	ST235/85 R16 - 8 ply Tire and Rim Assembly	2
33	B011504	Wheel Bolt - 6 Bolt Hub	12
34	C202515	Axle Arm Cross Brace	1
35	B001134	1/2" Stover Lock Nut	16
36	B002018	1/2"x 4" U-bolt x 5 1/2" deep	4
37	C204207	Tow Hitch	1
38	B0020187	1/2"x 6" U-bolt x 5 1/2" deep	2
39	B0275102	Round Manual Holder	1
40	C314500	Manual Holder Mount	2
41	B0020104	1/4" x 4" Sq. U-Bolt	2

HUB ASSEMBLY - 20 SERIES GRAIN BELT CONVEYOR
SERIAL NOS. 118000 - 127999



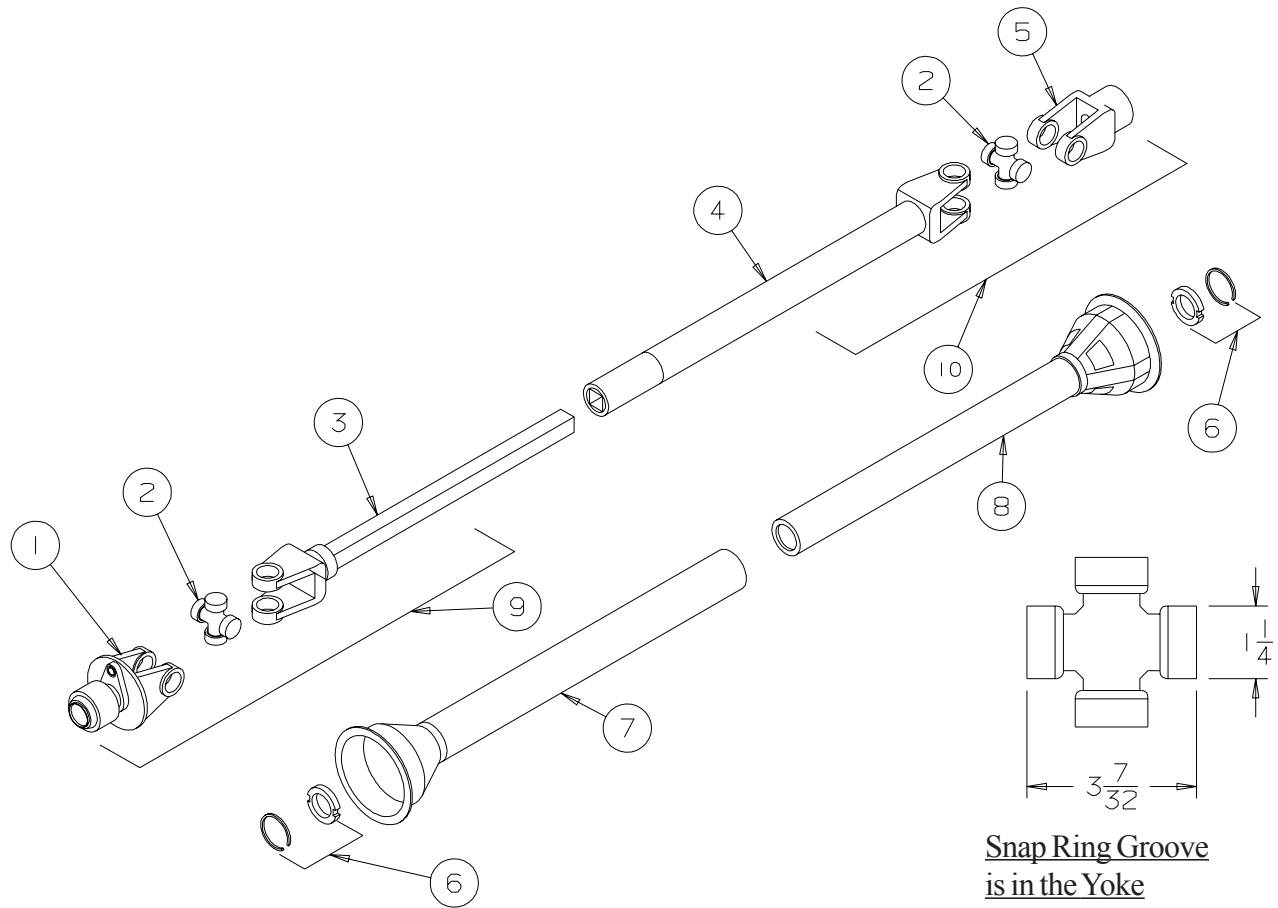
BC0002

REF #	PART #	DESCRIPTION	QTY
1	B011650	Seal, 6 Bolt Hub	1
2	B011651	Inner Bearing Cone (LM29749)	1
3	B011003	6 Bolt Hub Complete	1
3	B011668	6 Bolt Hub c/w Cups	1
4	B011602	Outer Bearing Cup (LM-67010)	1
5	B011603	Outer Bearing Cone (LM-67048)	1
6	B001158	1" SAE Flatwasher	1
7	B011681	1" - 14 TPI UNF Castle Nut	1
8	B011503	Dust Cap (DC13)	1
9	B011504	Wheel Bolt .500-20 UNF x 1.75" (WB10)	6
10	B011217	Tire ST235/85 R16 - 8 ply - Mounted	1
11	B002054	3/16" x 2" Cotter Pin	1
12	B011652	Inner Bearing Cup (LM-29710)	1

PTO SHAFT ASSEMBLY - 20 SERIES GRAIN BELT CONVEYOR

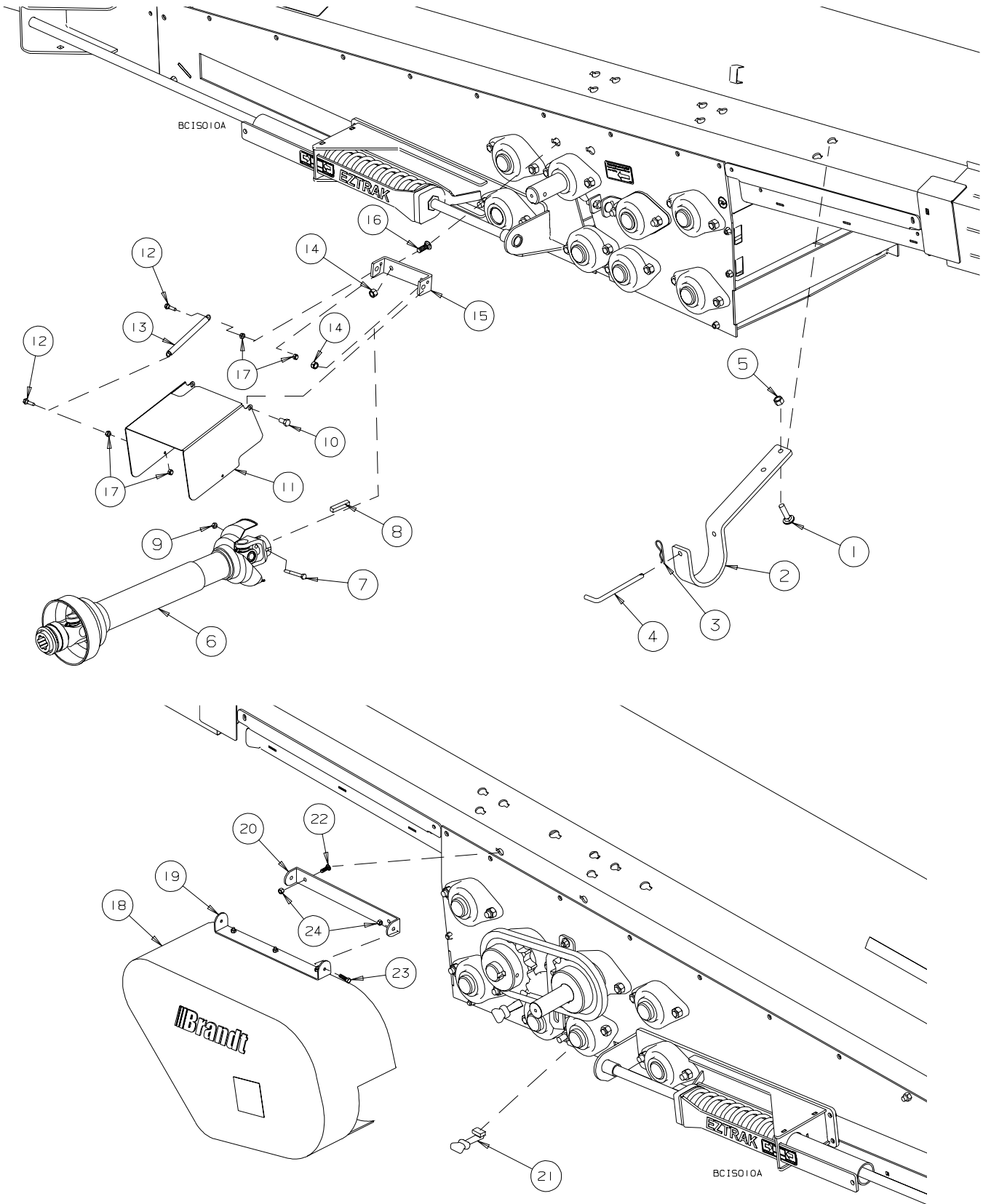
SERIAL NOS. 118000 - 127999

WEASLER SERIES 35R



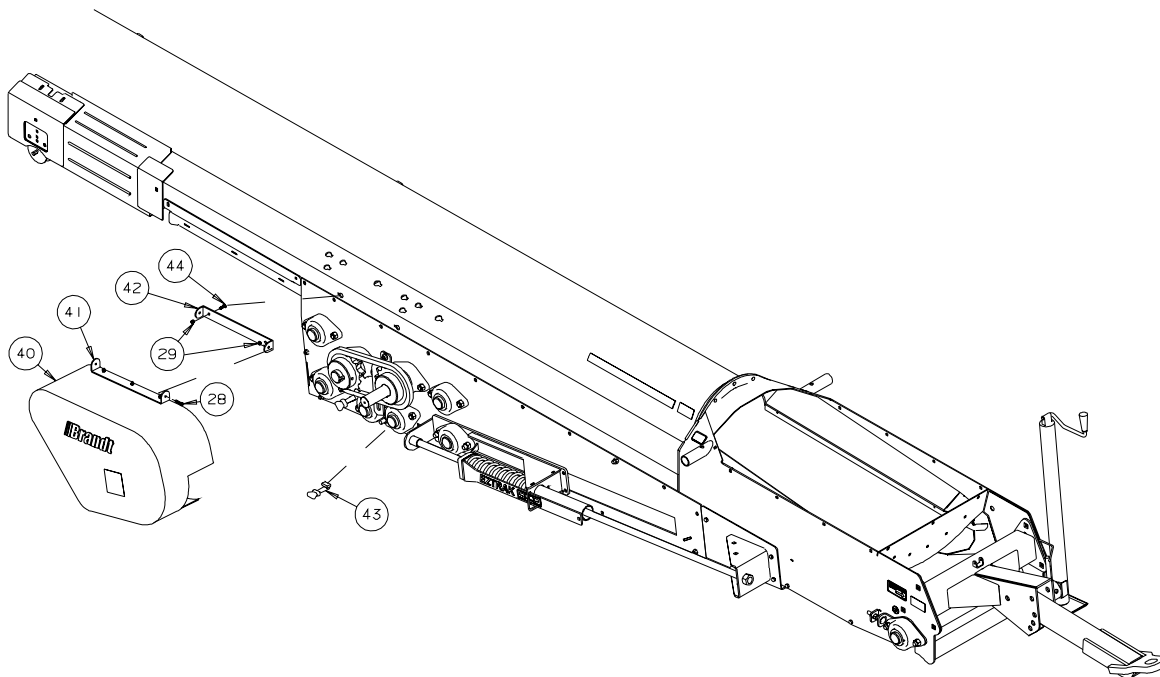
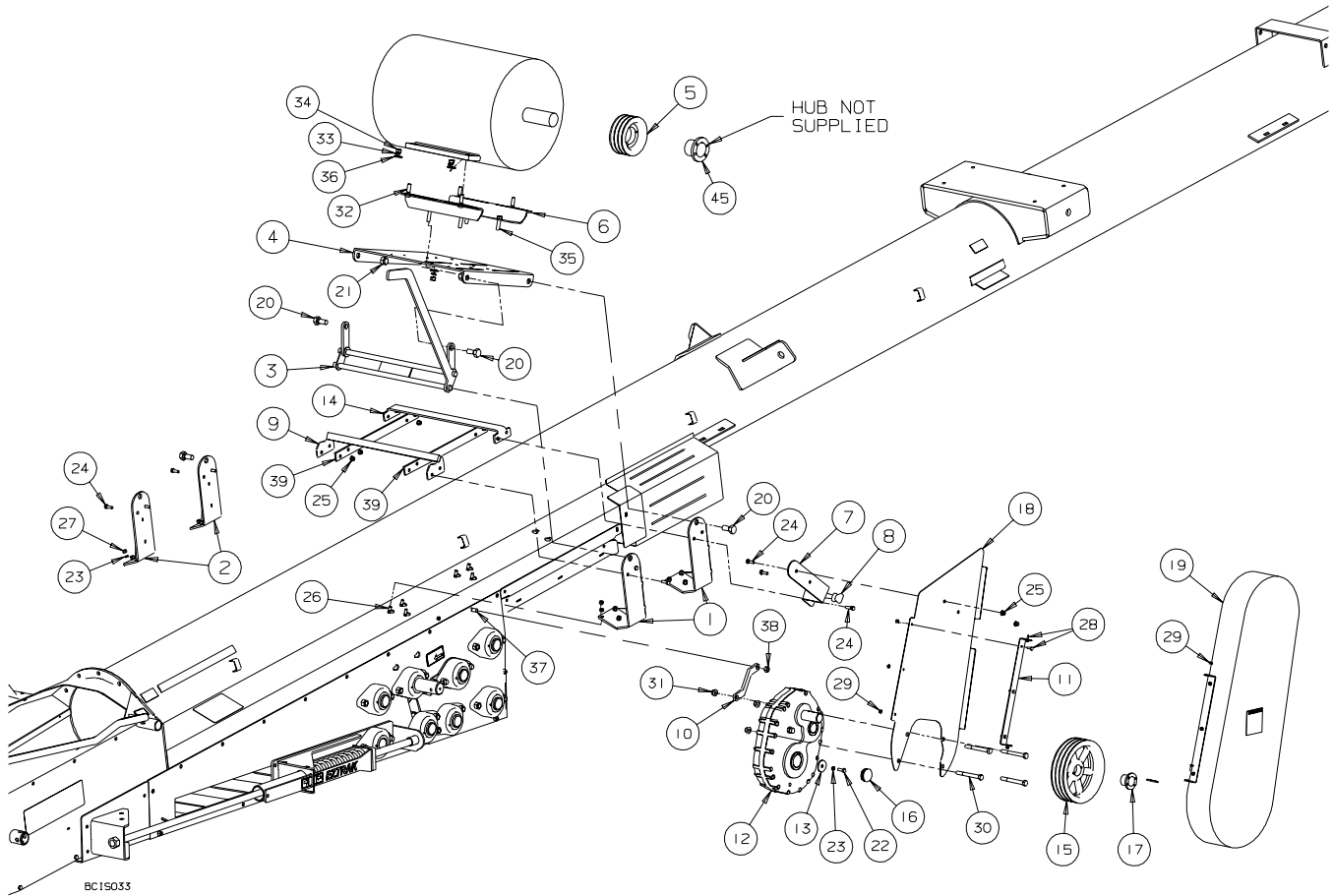
REF #	PART NO.	DESCRIPTION	QTY.
1	B003744	Shear Yoke Assembly - 6 Spline	1
2	B0037151	Cross & Bearing Kit	2
3	B003883	Input Yoke & Shaft	1
4	B003884	Output Yoke & Tube	1
5	B003885	Implement Yoke - 1 15/16" Bore	1
6	B003776	Shield Bearing	2
7	B003887	Outer Shield	1
8	B003888	Inner Shield	1
9	B003880	Tractor Half of Shaft c/w Guard - 6 Spline	1
10	B003881	Implement Half of Shaft c/w Guard	1
NS	B001024	Shear Bolt - 3/8" x 1" Gr. 5	1
NS	B0011325	Shear Nut - 3/8" Stover Lock Nut	1
	B003062	PTO Shaft - Complete	

SIDE DRIVE PTO KIT - 20 SERIES GRAIN BELT CONVEYOR
SERIAL NOS. 118000 - 127999



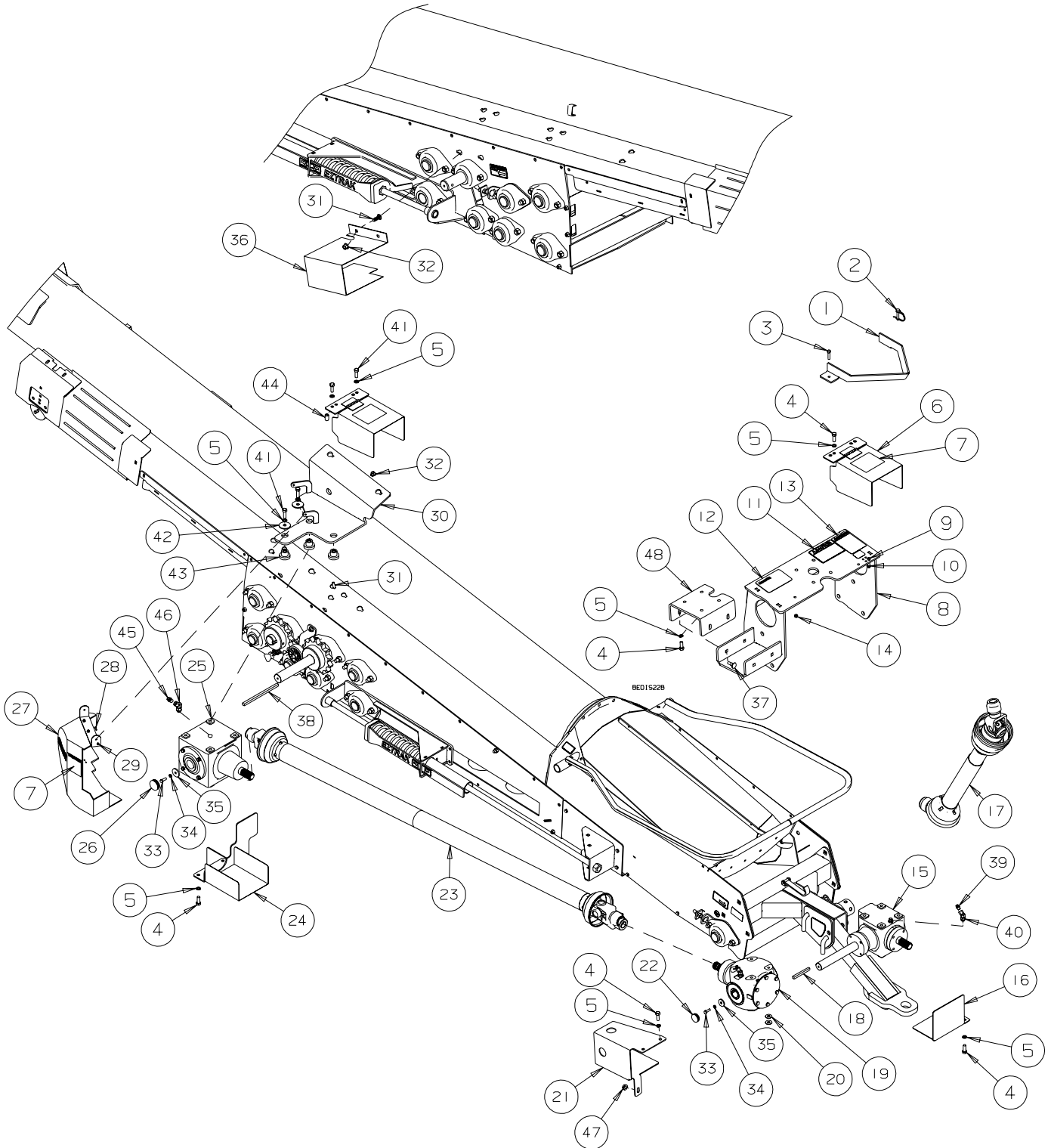
REF #	PART #	DESCRIPTION	QTY
1	B001083	3/8" x 1 1/2" Carriage Bolt	2
2	C200630	PTO Holder	1
3	B0020295	3/8" x 4 3/4" L-Pin	1
4	B002091	3/16" x 3 3/4" Hair Pin Clip	1
5	B0011325	3/8" Lock Nut	2
6	B003062	PTO Shaft - 20 Series Conveyor	1
7	B001035	3/8" x 4" Bolt	1
8	C202517	1/2" Key x 2" lg.	1
9	B0011325	3/8" Lock Nut	1
10	B001024	3/8" x 1" Bolt	2
11	C205460	PTO Shaft Guard - 20 Series	1
12	B001003	1/4" x 1" Bolt	4
13	B021074	Extension Spring	2
14	B0011325	3/8" Lock Nut	4
15	C205459	PTO Guard Mount Bracket - 20 Series	1
16	B001082	3/8" x 1" Carriage Bolt	2
17	B0011245	1/4" Lock Nut	4
18	B0275345	Plastic Chain Guard Only - 20 Series	1
19	C205457	Plastic Chain Guard Mount	1
20	C202458	S-Drive Hinge	1
21	B0219992	Rubber Hold Down Strap	1
22	B001080	1/4" x 1" Carriage Bolt	2
23	B001003	1/4" x 1" Bolt	2
24	B0011245	1/4" Lock Nut	4

ELECTRIC MOTOR DRIVE KIT - 20 SERIES GRAIN BELT CONVEYOR
SERIAL NOS. 118000 - 127999



REF #	PART NO.	DESCRIPTION	QTY
1	C202469	Electric Drive Mount - Right	2
2	C202468	Electric Drive Mount - Left	2
3	C202464	Overcentre Handle	1
4	C202466	Electric Motor Mount	1
5	B0180183	6" Pulley - 3B56Q	1
6	C205091	Large 'Z' Bracket	2
7	C205087	Latch Attachment	1
8	B0219992	Rubber Latch	1
9	C205086	Electric Drive Brace	1
10	C205085	Electric Stablizer	1
11	C205088	Guard Hinge	1
12	B0030291	Gearbox - 3.7:1	1
13	C205082	Shaft End Plate	1
14	C205013	Electric Drive Rear Stiffener	1
15	B0180302	9 3/4" Pulley - 3B95SK	1
16	B0281871	2" Round Plug	1
17	B0180276	1 1/2" Tapered Hub - SK series	1
18	C205083	Guard Back	1
19	C205089	Belt Guard - 20 series Electric Drive	1
20	B001100	3/4" x 2" Bolt	4
21	B001143	3/4" Lock Nut	4
22	B001031	3/8" x 1 1/2" Bolt	1
23	B001165	3/8" Lockwasher	13
24	B001025	3/8" x 1 1/4" Bolt	10
25	B0011326	3/8" Flange Lock Nut	8
26	B0010835	3/8" x 1 1/4" Carriage Bolt	12
27	B001131	3/8" Hex Nut	12
28	B001002	1/4" x 3/4" Bolt	4
29	B0011245	1/4" Stover Lock Nut	4
30	B001057	1/2" x 4 1/2" Bolt	4
31	B0011365	1/2" Flange Lock Nut	5
32	B001089	1/2" x 1 3/4" Carriage Bolt	4
33	B001167	1/2" Lockwasher	8
34	B001135	1/2" Hex Nut	8
35	B001043	1/2" x 1 3/4" Bolt	4
36	B001151	1/2" Flatwasher	8
37	B001088	1/2" x 1 1/2" Carriage Bolt	1
38	B001134	1/2" Stover Lock Nut	1
39	C205042	Mount Support Plate	2
40	B0275345	Plastic Chain Guard only	1
41	C205457	Plastic Chain Guard Mount	1
42	C202458	S-Drive Hinge	1
43	B0219992	Rubber Hold Down Strap	1
44	B001080	1/4"x 1" Carriage Bolt	2
45	B0180288	Tapered Hub - 1 7/8" dia Q1 (not supplied)	
45	B0180297	Tapered Hub - 2 1/8" dia Q1 (not supplied)	

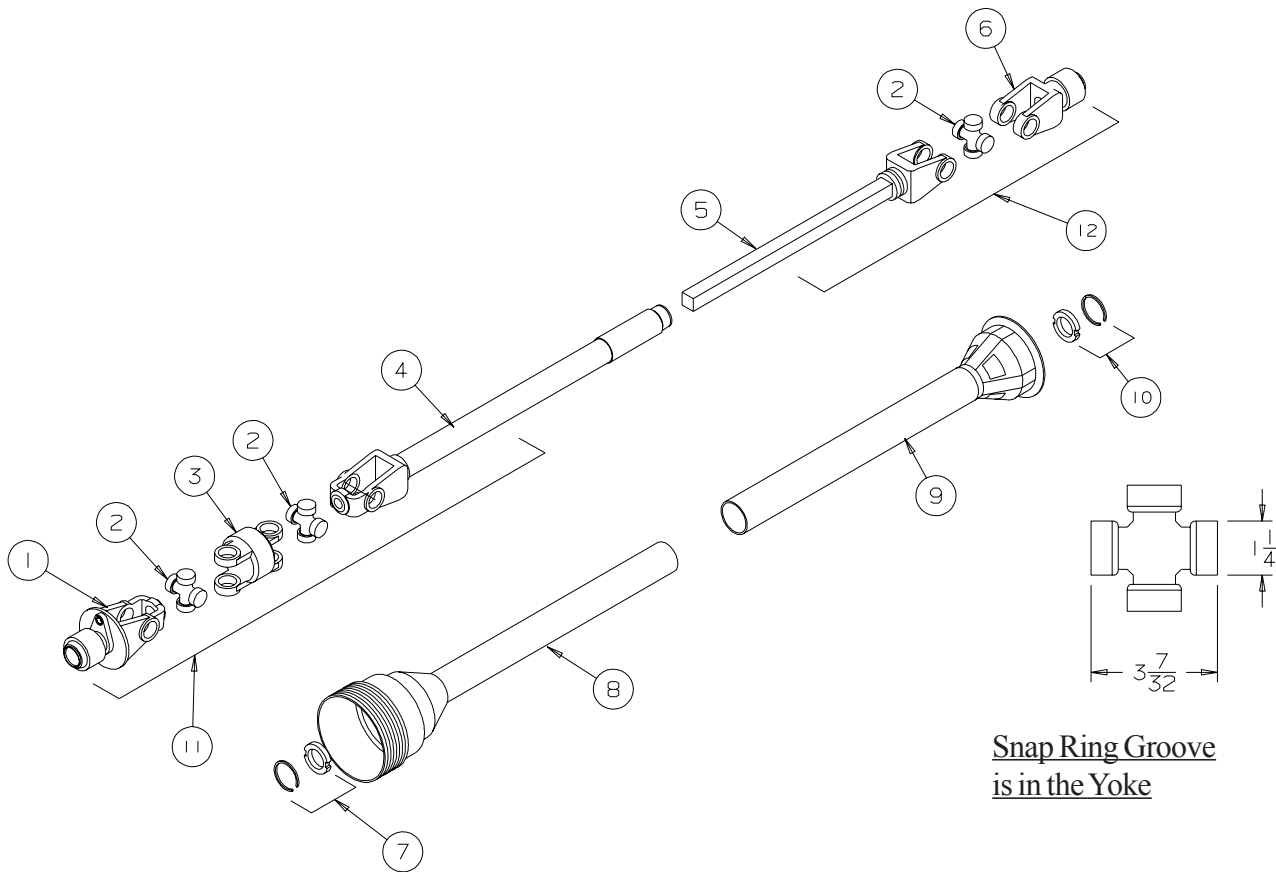
END DRIVE KIT - 20 SERIES GRAIN BELT TUBE CONVEYOR
SERIAL NOS. 118000 - 127999



REF #	PART NO.	DESCRIPTION	
1	C204974	PTO Holder	1
2	B002095	3/8"x 1 3/4" Quick Pin	1
3	B001031	3/8"x 1 1/2" Bolt	1
4	B001040	1/2"x 1 1/4" Bolt	14
5	B001167	1/2" Lock Washer	16
6	C204158A	U-Joint Guard Assembly	2
7	B029111	Moving Part Hazard Decal	3
8	C215154A	Front Gearbox Mount (540 RPM)	1
8	C215154B	Front Gearbox Mount (1000 RPM)	1
9	B001010	5/16"x 1" Bolt - Gr.5 (Shear Bolt for 540 RPM PTO Shaft)	4
9	B0010125	5/16"x 1 1/2" Bolt - Gr.8 (Shear Bolt for 1000 RPM PTO Shaft)	4
10	B0011275	5/16" Stover Lock Nut (Shear Nut)	4
11	B0290291	Hitch Weight Decal	1
12	B029061	Hitch/PTO Dimensions Decal	1
13	B029340	Remove the PTO Shaft Decal	1
14	B0011325	3/8" Stover Lock Nut	1
15	B003028	Input Gearbox - 540 RPM - 1.31:1	1
15	B0030285	Input Gearbox - 1000 RPM - 1.8:1	1
16	C204157	Front Coupler Guard	1
17	B003067	Input PTO Shaft - CV - Series 35E - 540 RPM - 25 3/8" to 37 3/4"	1
17	B003068	Input PTO Shaft - CV - Series 14E - 1000 RPM - 22" to 30 7/8"	1
18	C204202	3/8" x 2 3/4" Key	1
19	B003027	Corner Gearbox - 1:1	1
20	B001151	1/2" Flatwasher	AR
21	C215771A	Corner Gearbox Shaft Guard	1
22	B0281872	1 5/8" dia Plastic Plug	1
23	B003069	Long PTO Shaft - Series 35E - 73" to 85"	1
24	C205156	U-Joint Guard	1
25	B0030283	S-Drive Gearbox - 540 RPM - 1.35:1	1
25	B0030287	S-Drive Gearbox - 1000 RPM - 1.85:1	1
26	B0281871	2" dia Plastic Plug	1
27	C205160	S-Drive Guard Assembly	1
28	B001003	1/4"x 1" Bolt	2
29	B0011246	1/4" Locking Flange Nut	2
30	C208153	S-Drive Gearbox Mount	1
31	B001082	3/8"x 1" Carriage Bolt	4
32	B0011326	3/8" Locking Flange Nut	4
33	B001024	3/8" x 1" Bolt	2
34	B001165	3/8" Lockwasher	2
35	C205369	Key Stop Plate	2
36	C206150	Shaft Cover	1
37	B0010885	1/2"x 1 1/2" Carriage Bolt	4
38	C207202	3/8" x 6 1/2" Key	1
39	B00300827	3/8" MPT Breather	2
40	B0194615	#6 MORB x 3/8" FPT 45° Elbow	2
41	B001044	1/2"x 2" Bolt	3
42	B0020715	2" OD x 17/32" ID x .150" Washer	3
43	B021640	Rubber Mount	3
44	B002310	5/8" OD x .512" ID x 1" long Spacer	1
45	B00300828	1/2" MPT Breather	1
46	B019486	#8 MORB x 1/2" FPT 45° Elbow	1
47	B001365	1/2" Flange Lock Nut	4
48	C215772	End Drive Gearbox Mount	1

WEASLER SERIES 35E

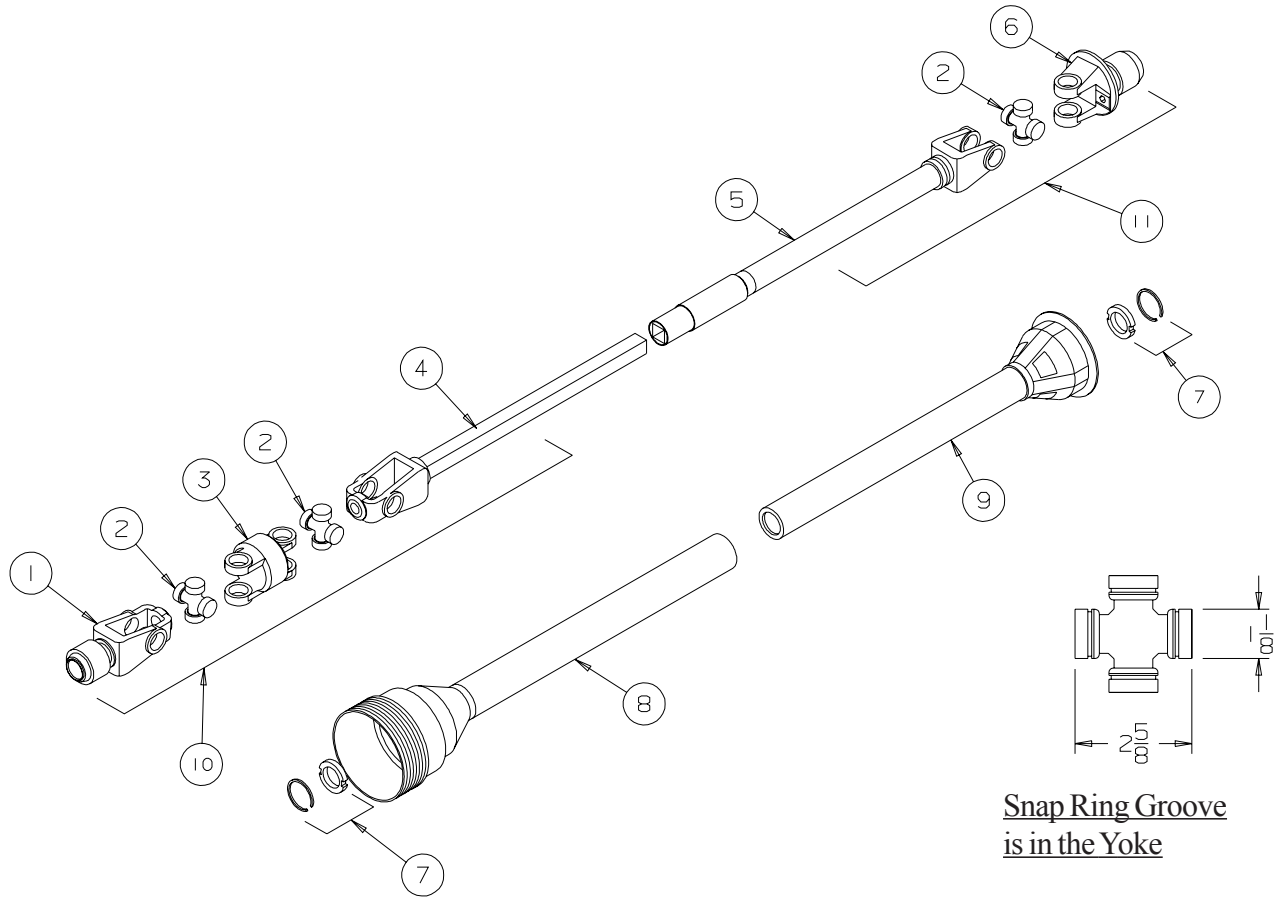
B003067 - 20 SERIES BELT CONVEYOR - END DRIVE - 540 RPM



Snap Ring Groove
is in the Yoke

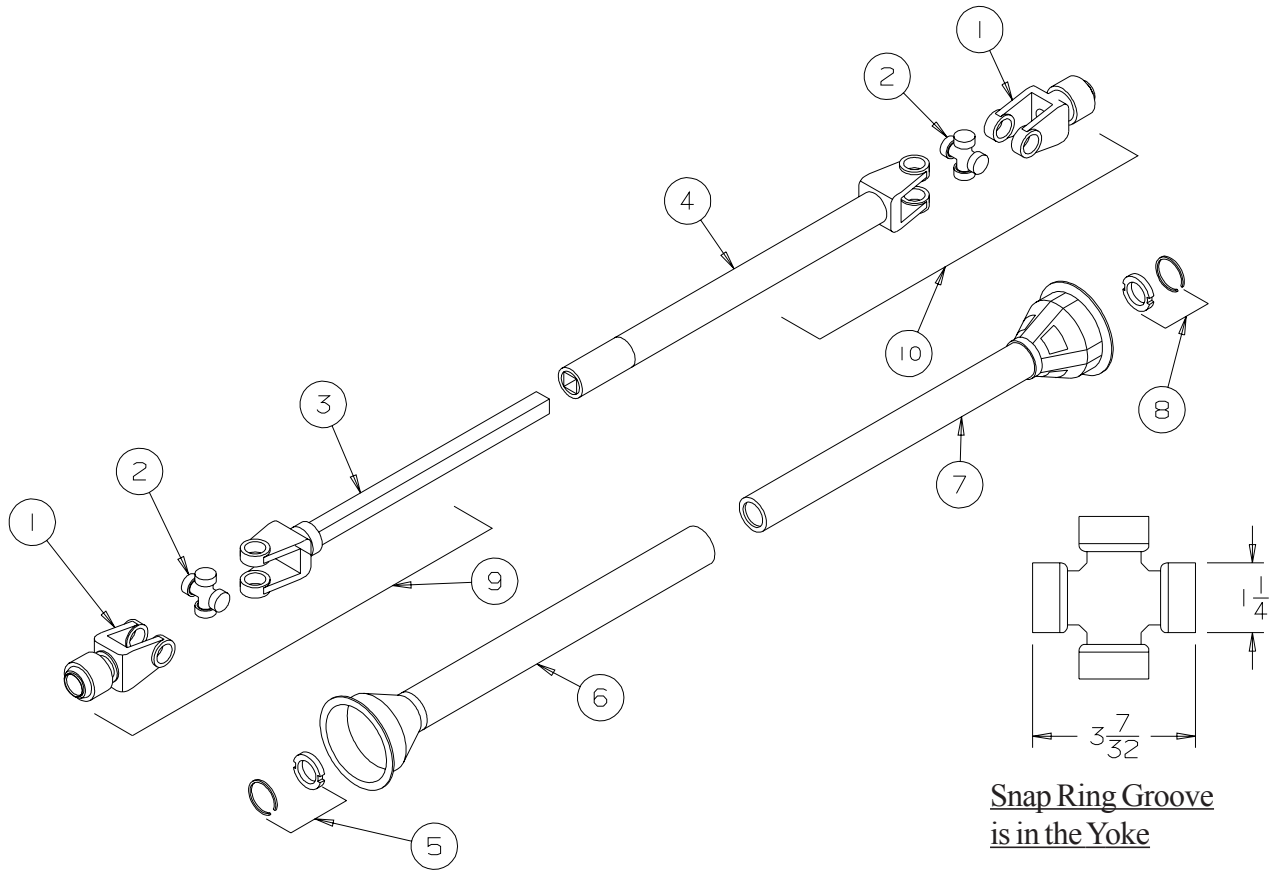
REF #	PART NO.	DESCRIPTION	QTY.
1	B003895	Shear Yoke - 6 Spline CV	1
2	B0037151	Cross & Bearing Kit	3
3	B003741	Centre CV Housing	1
4	B003894	Input Yoke & Tube	1
5	B003793	Output Yoke & Shaft	1
6	B003807	Yoke - 21 Spline	1
7	B003896	PTO Shield Bearing	1
8	B003898	Inner Shield	1
9	B003897	Outer Shield	1
10	B003906	PTO Shield Bearing	1
11	B003890	Tractor Half of Shaft c/w Guard - 6 Spline	1
12	B003891	Implement Half of Shaft c/w Guard	1
NS	B001024	3/8" x 1" Bolt Gr. 5 - Shear	1
NS	B0011325	3/8" Stover Lock Nut	1

WEASLER SERIES 14R
B003068 - 20 SERIES BELT CONVEYOR - END DRIVE - 1000 RPM



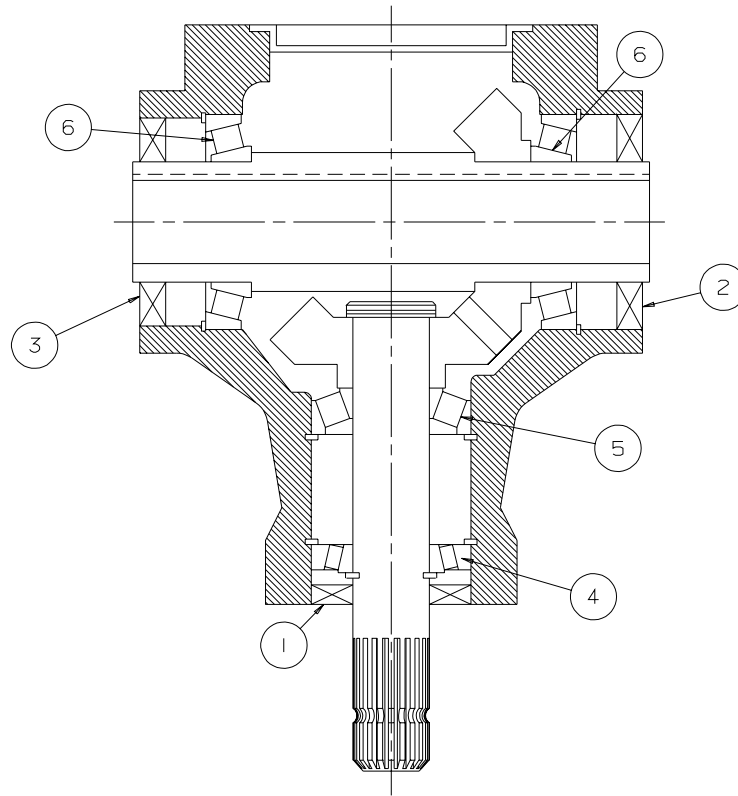
REF #	PART NO.	DESCRIPTION	QTY.
1	B003730	Tractor Yoke - 21 Spline CV	1
2	B0037101	Cross & Bearing Kit	3
3	B003731	Centre CV Housing	1
4	B003903	Input Yoke & Shaft	1
5	B003904	Output Yoke & Tube	1
6	B003902	Yoke - 21 Spline - Shear	1
7	B003906	Shield Bearing	2
8	B003907	Outer Shield	1
9	B003908	Inner Shield	1
10	B003900	Tractor Half of Shaft c/w Guard - 21 Spline CV	1
11	B0039011	Implement Half of Shaft c/w Guard - 21 Spline - Shear	1
NS	B0010125	5/16" x 1 1/2" Bolt Gr.8 - Shear	1
NS	B0011275	5/16" Stover Lock Nut	1

WEASLER SERIES 35E
B003069 - 20 SERIES BELT CONVEYOR - END DRIVE



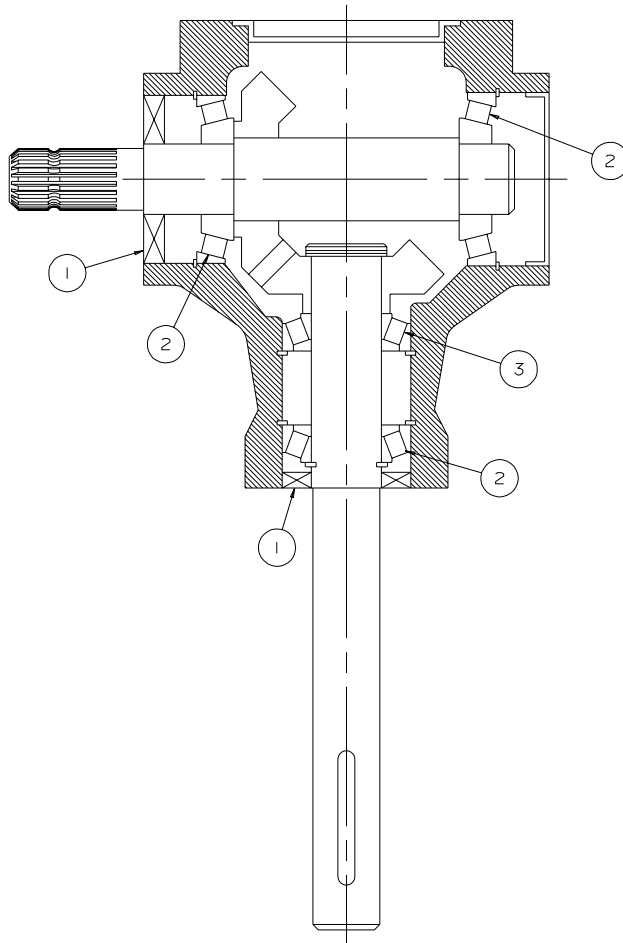
REF #	PART NO.	DESCRIPTION	QTY.
1	B003807	Yoke - 21 Spline	2
2	B0037151	Cross & Bearing Kit	2
3	B003913	Input Yoke & Shaft	1
4	B003914	Output Yoke & Tube	1
5	B003906	Shield Bearing	1
6	B003917	Outer Shield	1
7	B003918	Inner Shield	1
8	B003896	Shield Bearing	1
9	B003910	Half of Shaft c/w Guard - 21 Spline	1
10	B003911	Half of Shaft c/w Guard - 21 Spline	1

B003027 20 SERIES CONVEYOR END DRIVE GEARBOX - 1 : 1



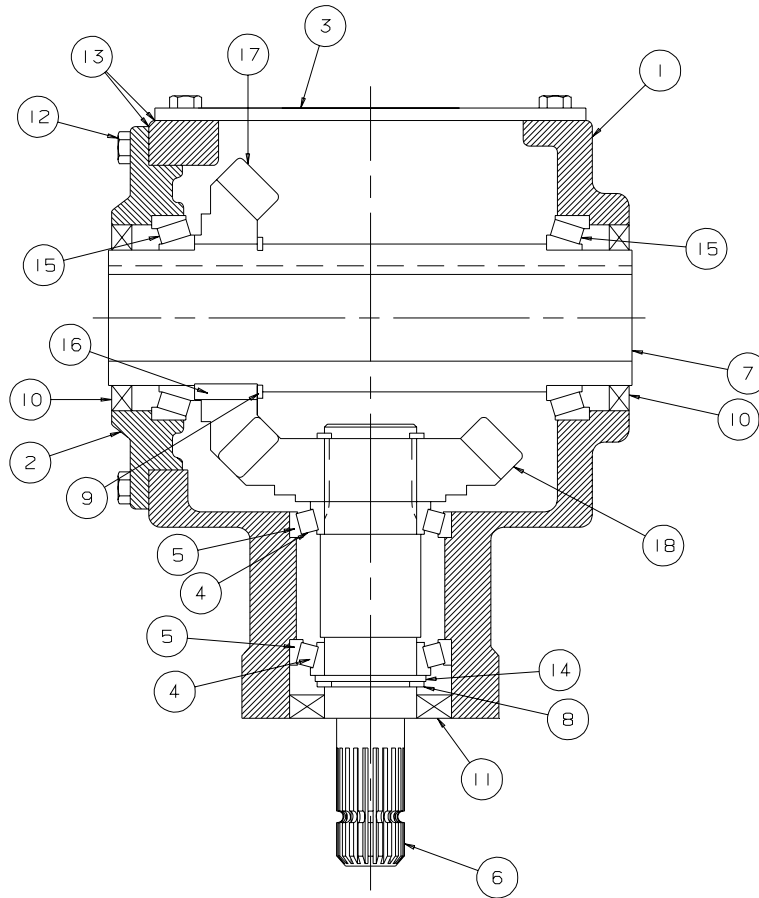
REF#	PART NO.	DESCRIPTION	QTY
1	B00302723	Oil Seal 40 x 80 x 12	1
2	B00302707	Oil Seal 55 x 100 x 12	1
3	B00302708	Oil Seal 55 x 90 x 12	1
4	B00302703	Bearing 30208	1
5	B00302704	Bearing 32208	1
6	B00302722	Bearing 30211	2

B003028 20 SERIES CONVEYOR END DRIVE GEARBOX - 1.31 : 1



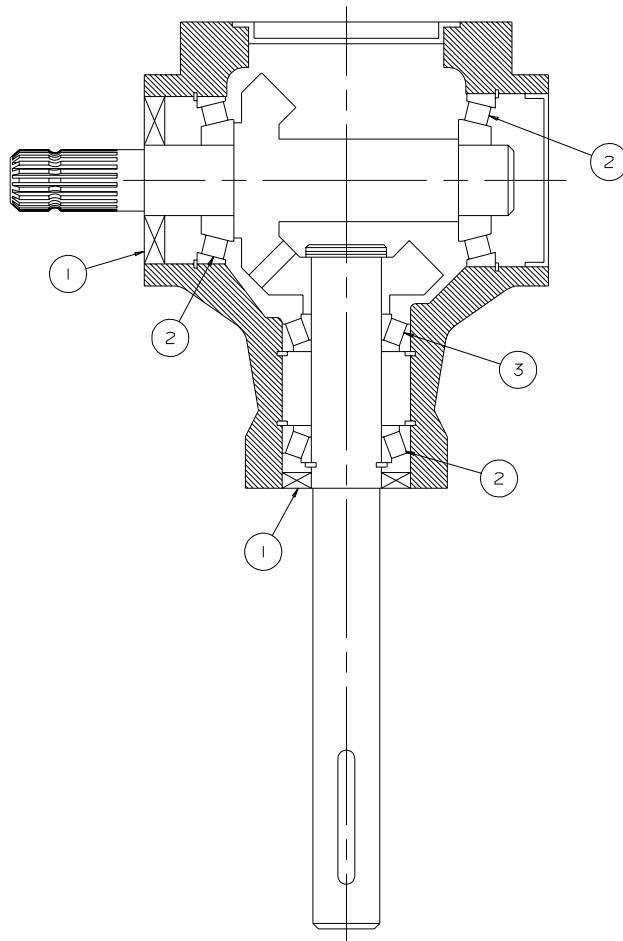
REF#	PART NO.	DESCRIPTION	QTY
1	B00302808	Oil Seal 40 x 80 x 12	2
2	B00302811	Bearing 30208	3
3	B00302804	Bearing 32208	1

B0030283 20 SERIES CONV END DRIVE GEARBOX - 1.35 : 1



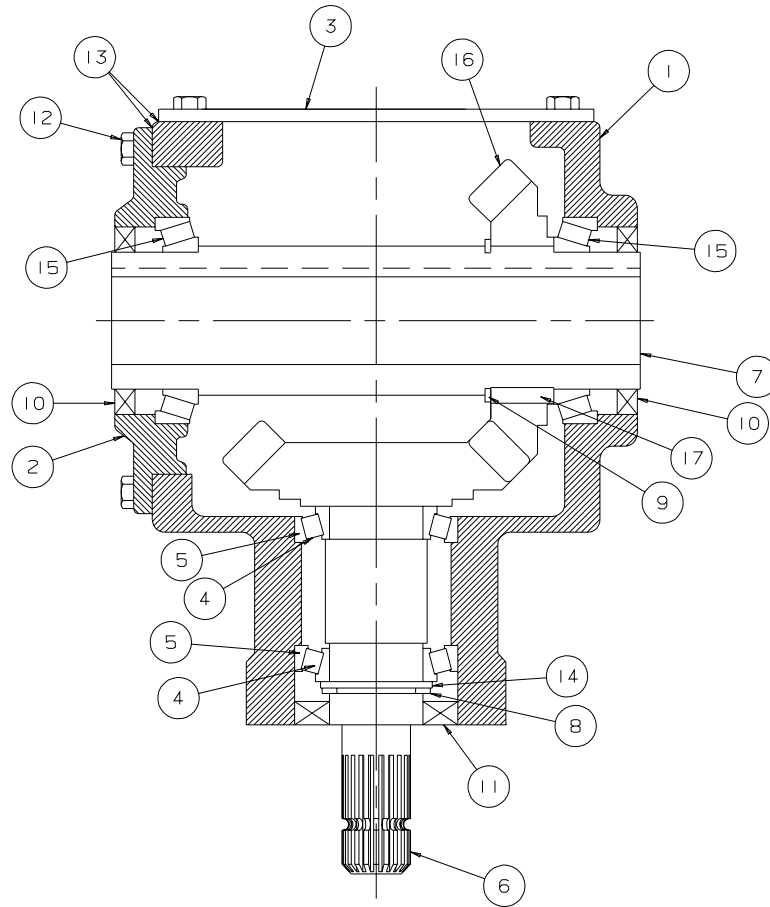
REF#	PART NO.	DESCRIPTION	QTY
1	B003028301	Housing	1
2	B003028302	End Cap	1
3	B003028303	Top Cover	1
4	B003028304	Bearing Cone 3780	2
5	B003028305	Bearing Cup 3720	2
6	B003028306	Input Gear & Shaft Assembly	1
7	B003028307	Output Shaft - Hollow	1
8	B003028308	Snap Ring	1
9	B003028309	Snap Ring	1
10	B003028310	Oil Seal	2
11	B003028311	Oil Seal 2.00 x 3.672 x .315	1
12	B003028314	Bolt, 3/8" x 1" UNC	4
13	B003028315	Shim, .007"	AR
14	B003028316	Spacer	1
15	B003028318	Bearing 32012	2
16	B003028319	Key	1
17	B003028320	Gear 23 tooth	1
18	B003028321	Gear 17 tooth	1

B0030285 20 SERIES CONV END DRIVE GEARBOX - 1.8 : 1



REF#	PART NO.	DESCRIPTION	QTY
1	B003028508	Oil Seal 40 x 80 x 12	2
2	B003028511	Bearing 30208	3
3	B003028504	Bearing 32208	1

B0030287 20 SERIES CONV END DRIVE GEARBOX - 1.85 : 1



REF#	PART NO.	DESCRIPTION	QTY
1	B003028701	Housing	1
2	B003028702	End Cap	1
3	B003028703	Top Cover	1
4	B003028704	Bearing Cone 3780	2
5	B003028705	Bearing Cup 3720	2
6	B003028706	Input Gear & Shaft Assembly 14 tooth	1
7	B003028707	Output Shaft - Hollow	1
8	B003028708	Snap Ring	1
9	B003028709	Snap Ring	1
10	B003028710	Oil Seal	2
11	B003028711	Oil Seal 2.00 x 3.672 x .315	1
12	B003028714	Bolt, 3/8" x 1" UNC	4
13	B003028715	Shim, .007"	1
14	B003028716	Spacer	1
15	B003028718	Bearing 32012	2
16	B003028719	Gear 26 tooth	1
17	B003028720	Key	1